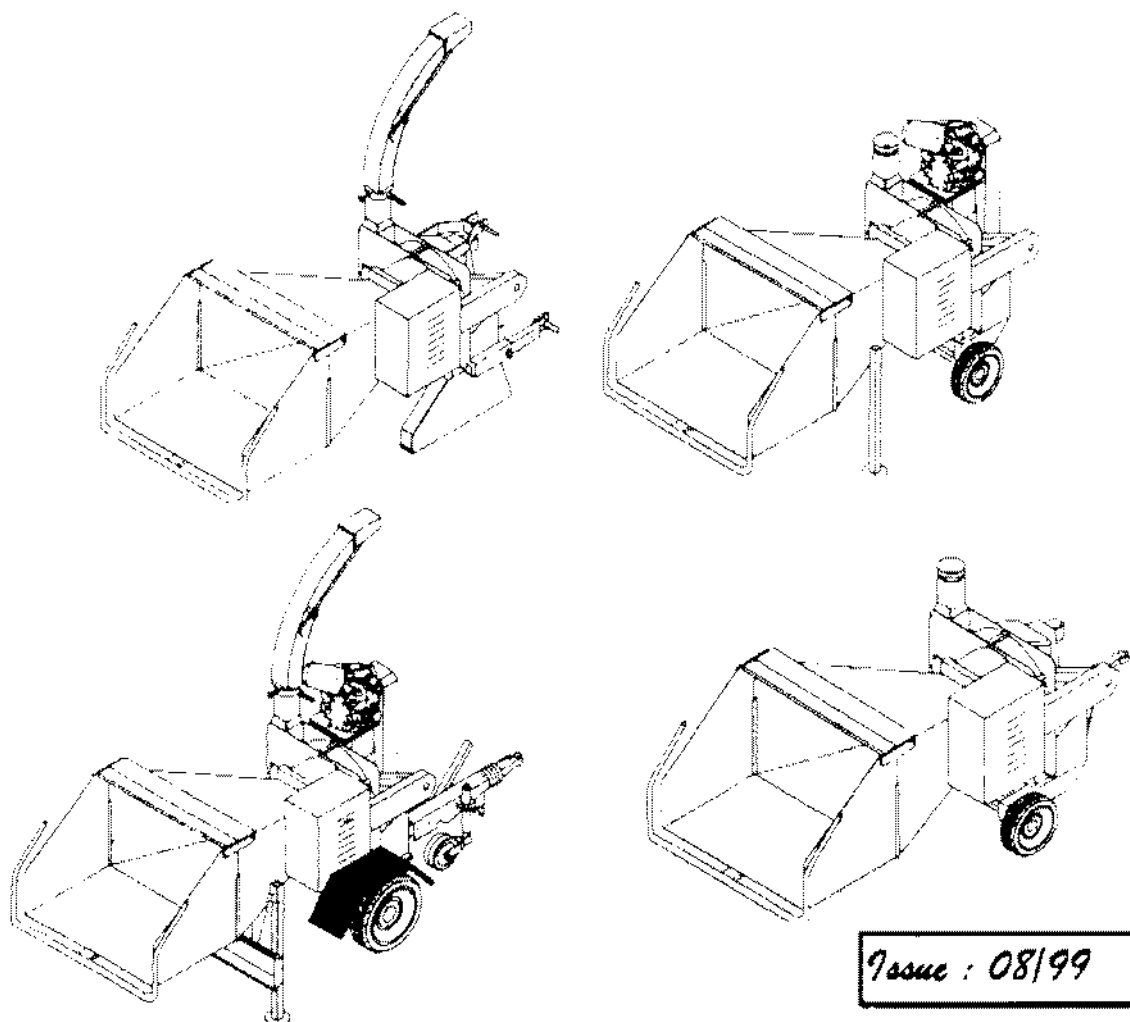


pezzolato

SPARE PARTS MANUAL

WOODCHIPPER MACHINE **PZ 110** ^{mm}

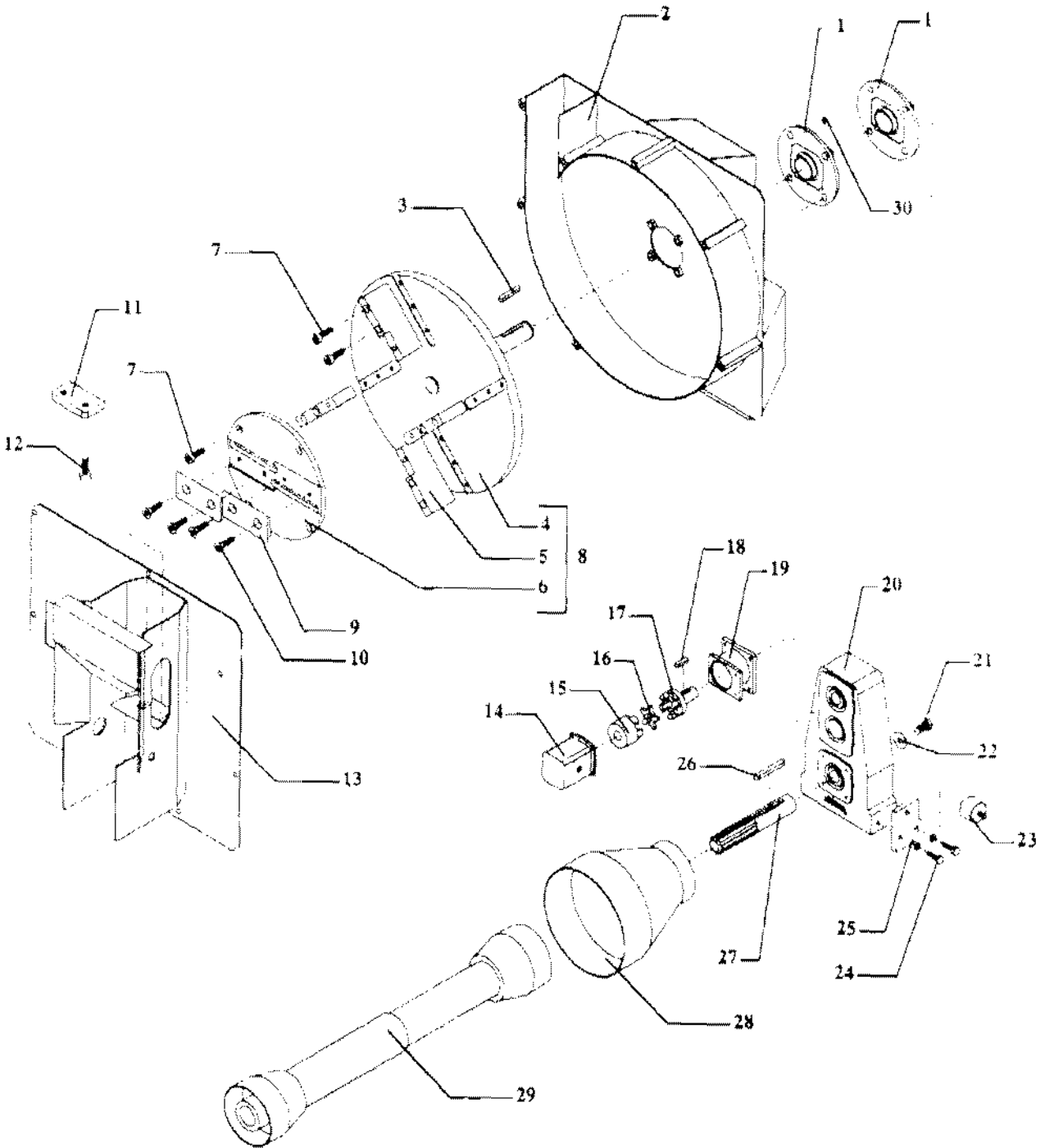


Issue : 08/99

PEZZOLATO Officine costruzioni meccaniche S.p.A.
Tel (0175) 278077 - Fax (0175) 278 421
12030 ENVIE (CN) - Via Provinciale Revello, n° 89

PZ 110 mm

BAND WHEEL ASSEMBLY P.D.F. Vers.



PZ 110 mm

**SPARE PARTS LIST BAND WHEEL
ASSEMBLY P.D.F. Vers.**


POS	DENOMINATION	CODE
1	Support UCFC 208	0230540001
2	Structure	
3	Depressed key 10x5 L=79	0305999017
4	Flywheel for fans + shaft PZ110	3053900003
5	Fan PZ110	3052010031
6	Flywheel for blades Pz110	3052010034
7	Screw T.C.E.I. M12 x 90	
8	Complete flywheel PZ110	0723010005
9	Blade PZ110	0704015201
10	Screw T.S.E.I. M12 x 30	
11	Anvil blade PZ110	0704015204
12	Screw T.E. M16 x 25	
13	Front structure	3052010013
14	Pump PLP 10.4 DO-81E1	0418110013
15	Coupling (pump side) LP1 D.63	0225210010
16	Rubber block D.63	0225220010
17	Coupling x hole D.18 L=57.5	0225210020
18	Key 6 x 6 x 20	
19	Pump support guard PZ110	0719252001
20	Reducer R1/3.8 PEZZOLATO	0305003006
21	Screw T.E. M10 x 30	
22	Washer D.i.10.5 D.e.40 sp.4	
23	Anti vibrating D.60 H.45 60A M10	0216000007
24	Screw T.E. M10 x 35	
25	Anti vibrating support plate	3169900014
26	Depressed key 10x6.5 L=79	0305999016
27	Inlet for reducer	0799030030
28	Cardan guard Cod. 4170402	0239000002
29	Cardan 7.103041CE007098 L=41	0228103103
30	Grease cup M6	
31		
32		

PZ 110 mm

PEZZOLATO OVERGEAR R1/3.8

